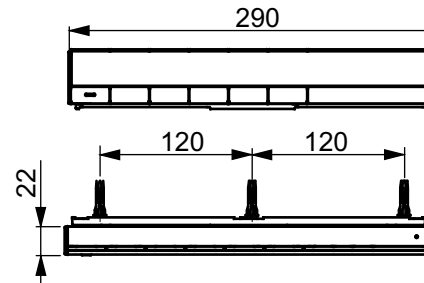
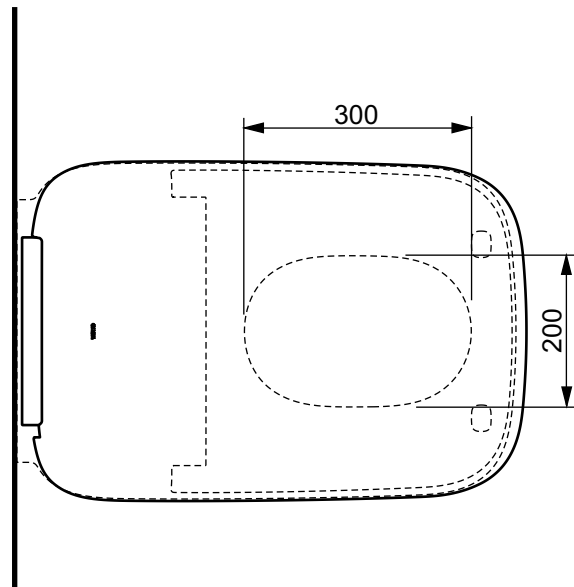
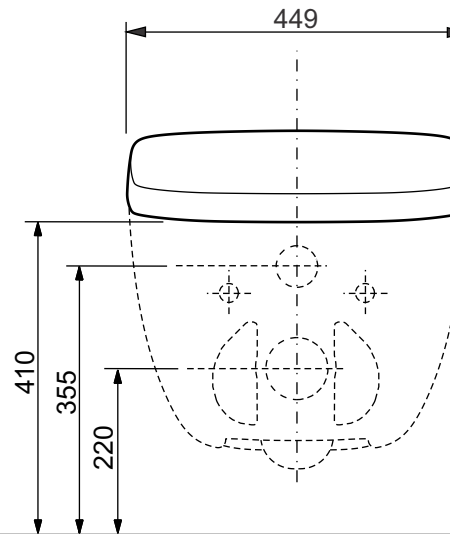


±0=OKFFB



TO BE COMBINED WITH:

1. WC for NEOREST® WX1
2. Push plate for NEOREST® WX1/WX2
3. Connecting set for NEOREST® WX1/WX2
4. Sanitary Modul for WASHLET® with automatic flush

CW927PZY  
 MB177EM#S  
 HM183  
 WH182EAT  
 WH183EAT (UK)

Designation		<b>TOTO</b>	
<b>NEOREST®</b> WASHLET® for NEOREST® WX1 TCF95180GEU			
Altered		Scale	1:10
		Signed	T.G.
		Date	19/04/2023

This drawing including the respective data may neither be duplicated nor modified nor altered without the consent of TOTO Europe GmbH. The usage of the data/technical drawings takes place at user's own risk and under exclusion of any liability of TOTO Europe GmbH and/or of the companies of the TOTO-Group. The indicated dimensions are not binding; products are subject to change. Measurements shown may be subject to small variations or are indicative.