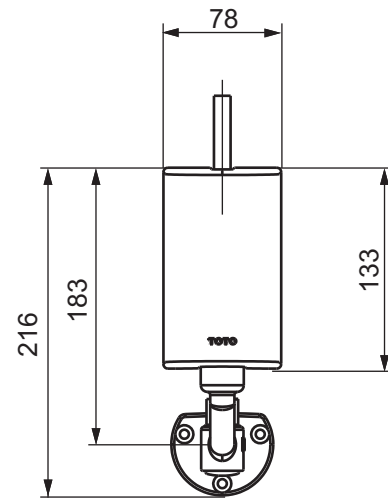
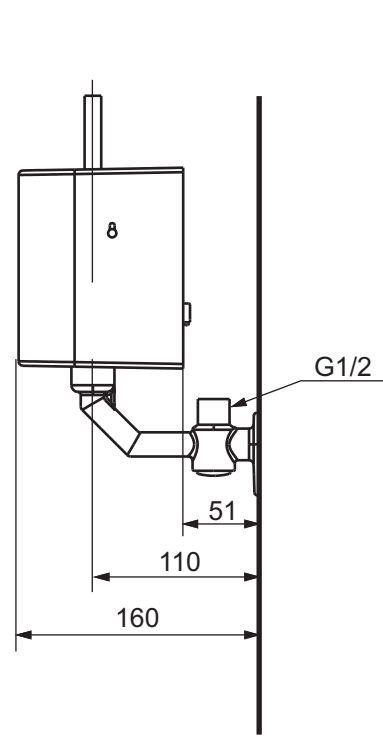


TO BE COMBINED WITH

1. Single water unit (2L/min) TN789V765
2. Thermostatic unit (2L/min) TN7810V765

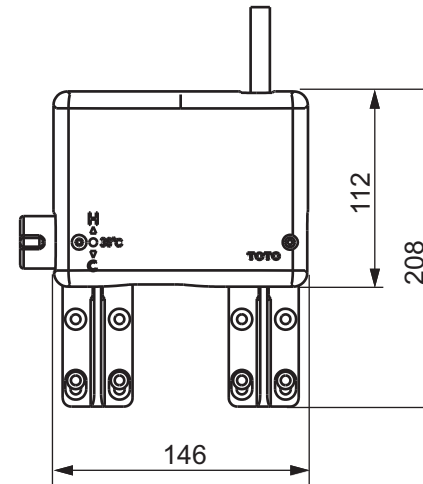
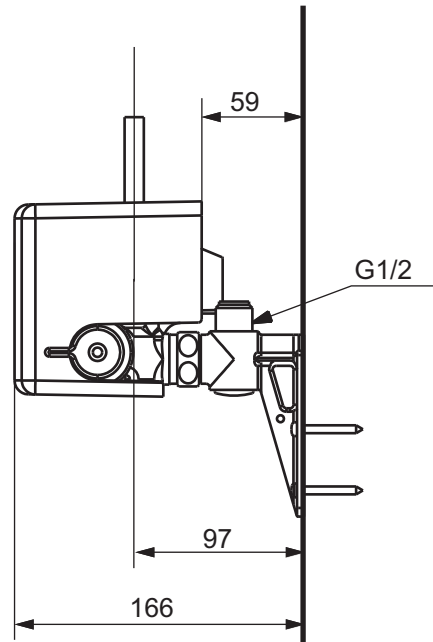
Designation		TOTO	
PUBLIC SERIES Auto faucet curved TEN40AWV205			
Altered		Scale 1:2	
		Signed	T.G.
		Date	22/02/2010
<small>This drawing including the respective data may neither be duplicated nor modified nor altered without the consent of TOTO Europe GmbH. The usage of the data/technical drawings takes place at user's own risk and under exclusion of any liability of TOTO Europe GmbH and/or of the companies of the TOTO-Group. The indicated dimensions are not binding; products are subject to change. Measurements shown may be subject to small variations or are indicative.</small>			



Designation			
PUBLIC SERIES			
Single water unit (2L/min) TN789V765			
Single water unit (3L/min) TN789V465			
Single water unit (4L/min) TN789V565			
Altered		Scale	1:5
		Signed	
		Date	22/02/2010

TOTO

This drawing including the respective data may neither be duplicated nor modified nor altered without the consent of TOTO Europe GmbH. The usage of the data/technical drawings takes place at user's own risk and under exclusion of any liability of TOTO Europe GmbH and/or of the companies of the TOTO-Group. The indicated dimensions are not binding; products are subject to change. Measurements shown may be subject to small variations or are indicative.



Designation		PUBLIC SERIES Thermostatic unit (2L/min) TN7810V765 Thermostatic unit (3L/min) TN7810V465 Thermostatic unit (4L/min) TN7810V565		<h1>TOTO</h1>
Altered				
		Signed	T.G.	
		Date	22/02/2010	
		This drawing including the respective data may neither be duplicated nor modified nor altered without the consent of TOTO Europe GmbH. The usage of the data/technical drawings takes place at user's own risk and under exclusion of any liability of TOTO Europe GmbH and/or of the companies of the TOTO-Group. The indicated dimensions are not binding; products are subject to change. Measurements shown may be subject to small variations or are indicative.		