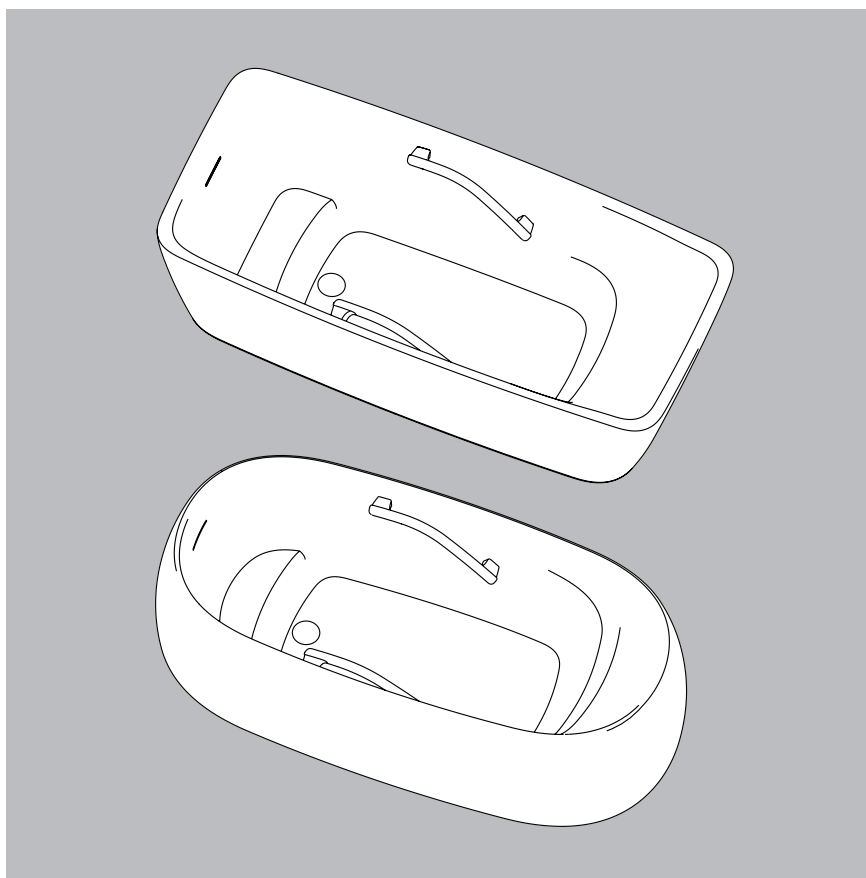


FLOTATION TUB WITH RECLINE COMFORT



● Cautions and warnings	2
● Included parts	5
● Required tools.....	6
● Specifications	7
● Dimension drawings.....	8
● Installation procedures.....	9
● Installing the bathtub	10
● Finishing.....	15



To service installers

Please explain the FLOTATION TUB functions and operation to the customers.



Cautions and warnings




Please read the installation manual and follow these cautions and warnings carefully before beginning the construction.

Follow all safety precautions and warnings.

 WARNING	When this appears next to a topic, this indicates that misoperation could result in death or serious injury.
 CAUTION	When this appears next to a topic, this indicates that misoperation may result in injury or physical damage.

- The following symbols are used to classify and explain instructions that must be followed.

Symbol example	Meaning of symbol
	This symbol indicates something that is "Prohibited".
	This symbol indicates something that is "Required".

 WARNING	
 Prohibited	Do not stand on bathtub while working. <ul style="list-style-type: none"> • Doing so could cause a fall or injury or damage the components.
	Only install the supplied parts or directed parts, and do not apply any changes to them. <ul style="list-style-type: none"> • Especially make sure not to change the dimensions of the product.
 Always observe	Make sure to follow the installation guide for installation. <ul style="list-style-type: none"> • Incomplete installation can result in a fire or electric shock. Otherwise, there is a chance of leakage that could wet and cause damage to household property.
	Make sure to follow the procedures for the drainage piping attachment. <ul style="list-style-type: none"> • Defective construction can result in water leakage that could wet and cause damage to household property.
	After unpacking, swiftly dispose of any unnecessary packing materials. <ul style="list-style-type: none"> • The wood frame, nails, cardboard boxes, vinyl bags, or sealing straps may cause an injury. If children play with the packaging materials there is a risk of suffocation or other accidents.



WARNING



Always observe

Attach the tap water supply equipment to the bathtub.

Make sure to install the bathtub according to the installation guide and in a stable location that can withstand its mass.

- Defective installation can result in an injury caused by the bathtub falling or flipping over.

Ensure that you have an ergonomic working position during transport and assembly.

- Take care at every stage that your move is safe. Ensure that you have assistance to avoid risk of accident or injury.

Observe the current local prevention of accidents and building regulations as well as sanitary and environmental protection rules during installation.

Stabilise the bathtub with a fixing plate.



- The bathtub may shake if it is not properly stabilised.

Secure enough space between the bathtub and tiles, and fill that space with silicone that does not contain alcohol.

Check to see that the hole positions are not overlapping with the cavity portions of the tile base.

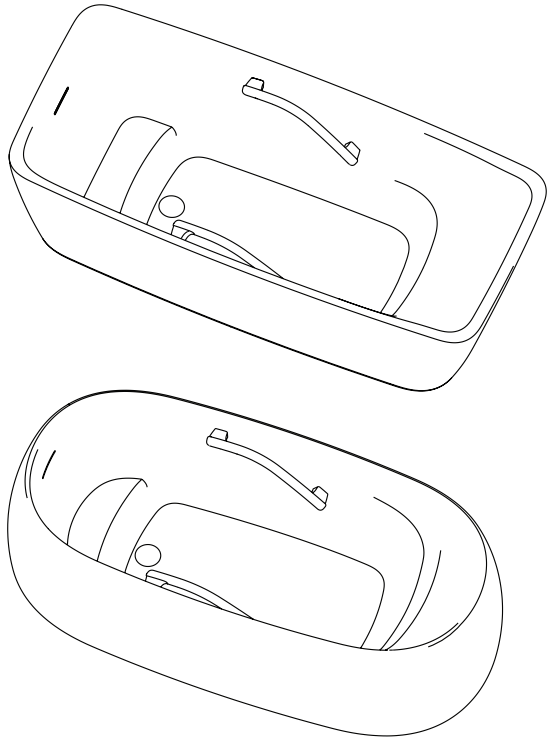
- If there are cavities, use an adhesive anchor to stabilise.

 **CAUTION**

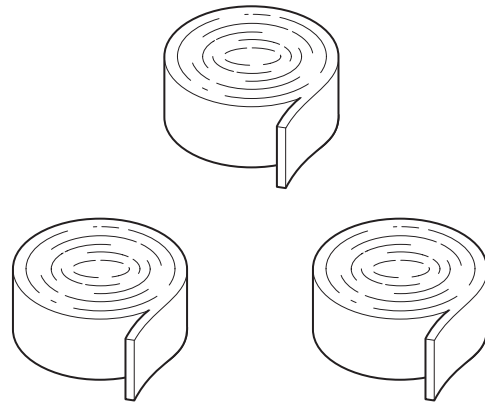
 Prohibited	<p>Do not place a stepladder inside the bathtub or place heavy objects on the edge the bathtub.</p> <ul style="list-style-type: none"> • This may cause damage.
	<p>Do not drop or bump anything hard or heavy onto the bathtub.</p> <ul style="list-style-type: none"> • This may cause the bathtub to crack and result in an injury, or leakage that could wet and cause damage to household property.
	<p>Keep sources of heat at a distance. Do not smoke.</p> <ul style="list-style-type: none"> • Doing so could cause damage.
	<p>Do not install the bathtub outdoors or in a location that is regularly exposed to sunlight (such as a sun room).</p> <ul style="list-style-type: none"> • This may cause the bathtub to freeze and cause damage or discoloration.
	<p>When delivering the bathtub, do not hold the hose or piping or bump anything hard against it.</p>
 Always observe	<p>When opening the packaging, make sure that all of the supplied parts and the bathtub itself are not damaged, and if they are, do not use the damaged parts.</p> <ul style="list-style-type: none"> • Replace any damaged parts.
	<p>When installing the bathtub in a location that could result in damage due to water leakage, make sure to apply waterproof processing construction on the floor surface.</p> <ul style="list-style-type: none"> • If there is water leakage, it may cause damage to the floor below.
	<p>Remove the bathtub's protective sheet after the construction is completed.</p>
	<p>Secure an area that enables proper space for the usage and maintenance of the bathtub.</p>
	<p>Before completing the installation, make sure to confirm the sealability of each part.</p> <ul style="list-style-type: none"> • If water leakage is detected, remove the cause of the leakage.
	<p>Please conduct site operation directly on the drain.</p>

Included parts

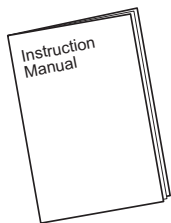
A-1: Bathtub



A-2: Polyethylene foamed sheet



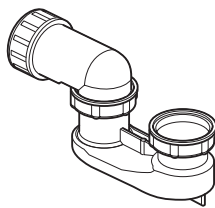
A-3: Instruction manual



A-4: Installation guide



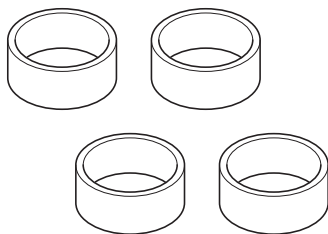
A-5: Drain trap (PP)



A-6: Drain trap Installation guide

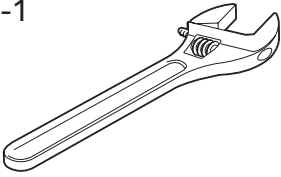


A-7: Sleeve

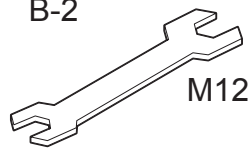


Required tools

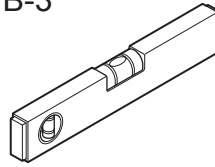
B-1



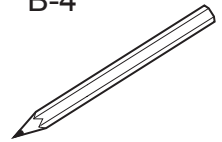
B-2



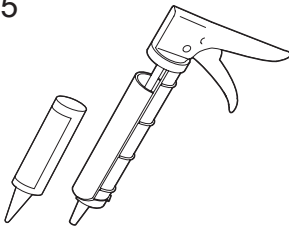
B-3



B-4

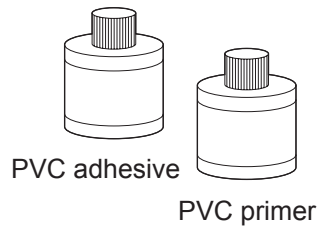


B-5

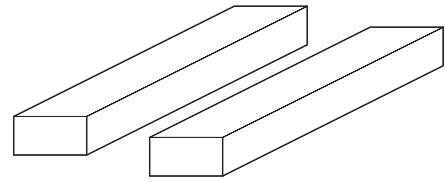


Silicone

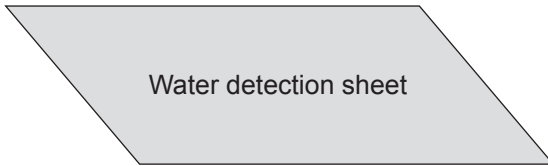
B-6



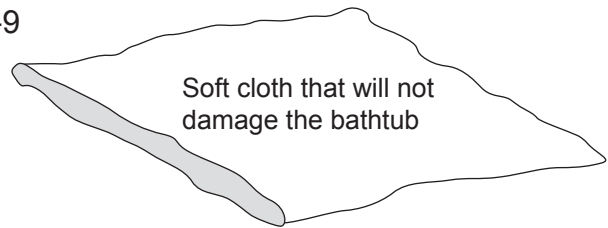
B-7



B-8



B-9

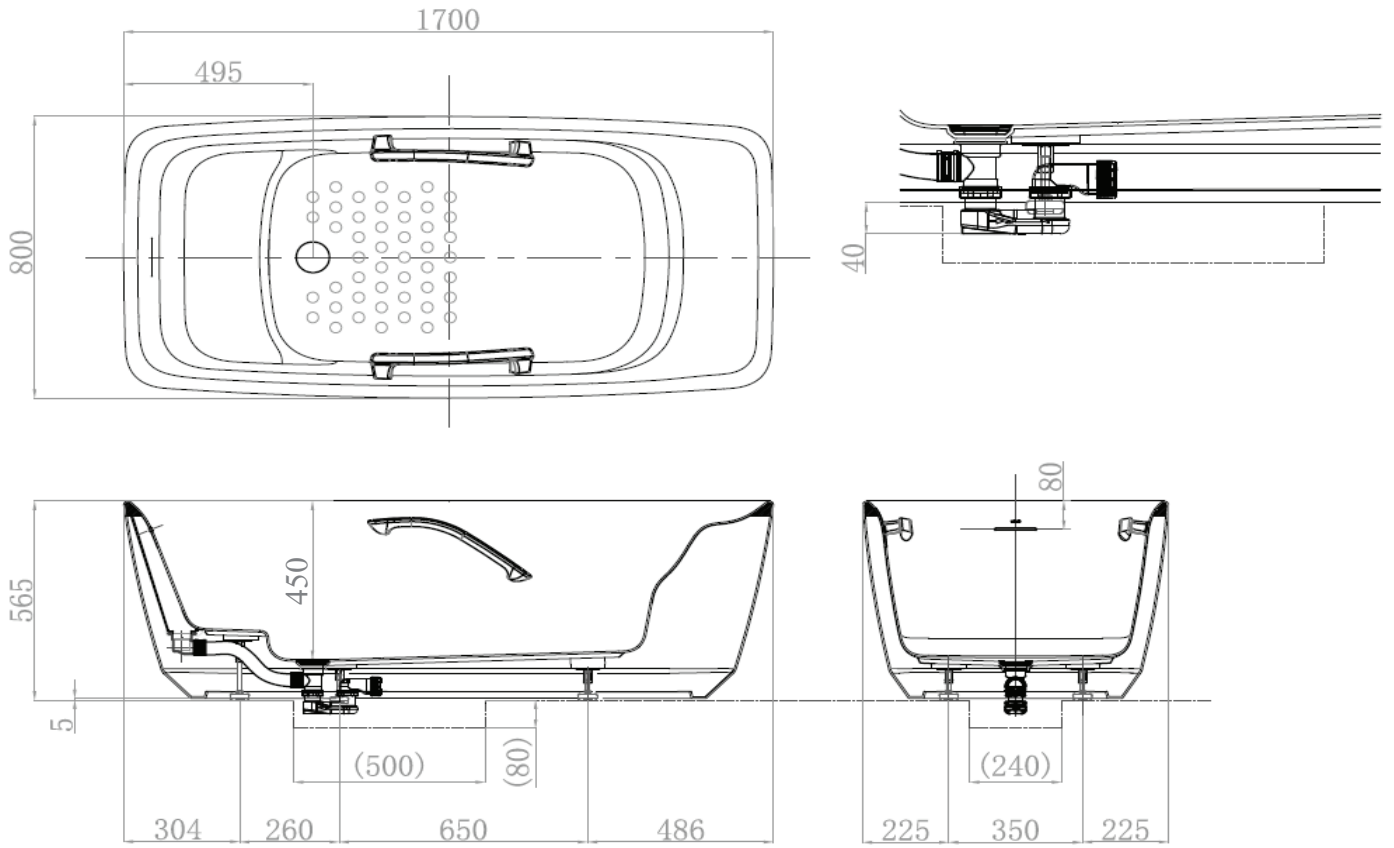


Specifications

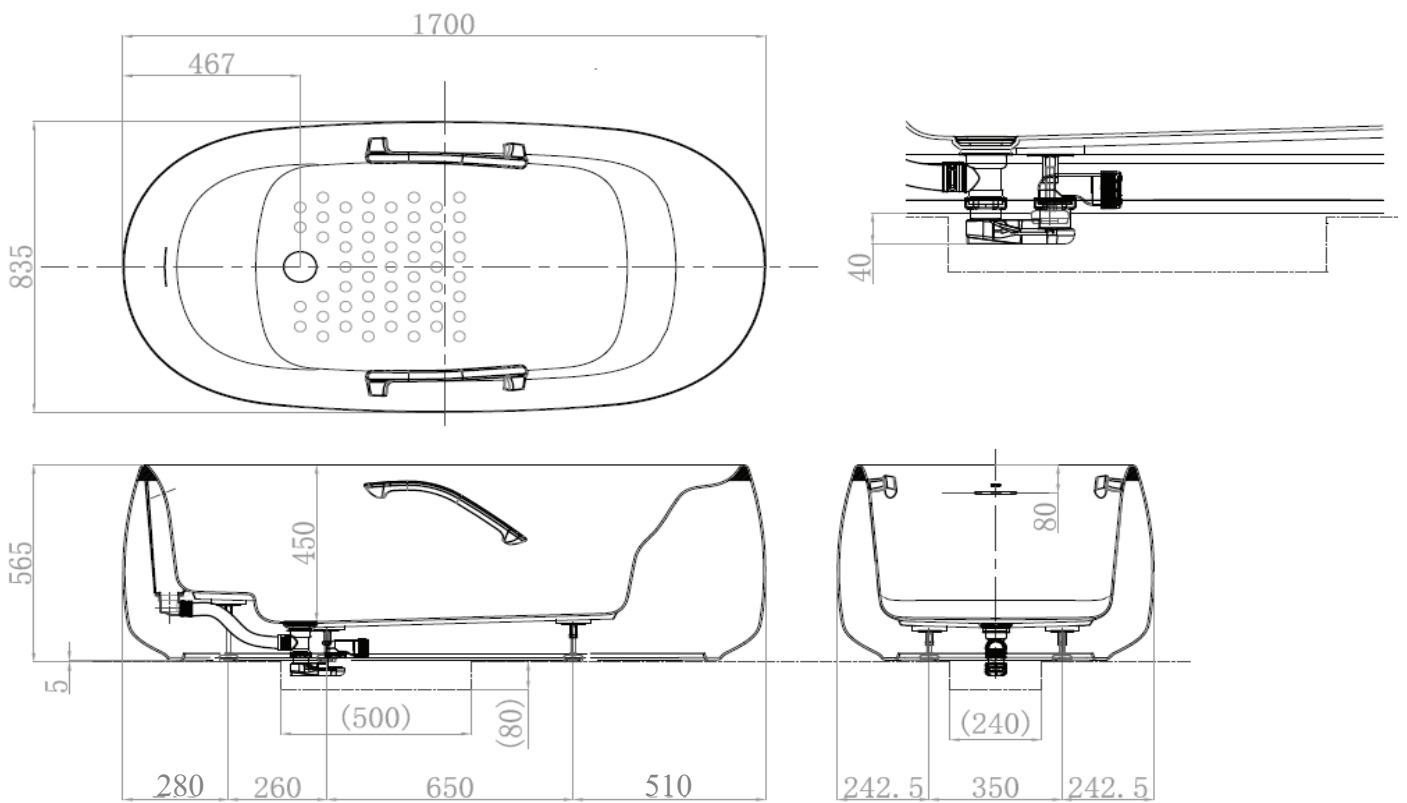
Item	Specifications	
Product Number	PJY1724	PJY1744
External dimensions	1700 mm (L) × 800 mm (W) × 565 mm (H)	1700 mm (L) × 835 mm (W) × 565 mm (H)
Bathtub depth	450mm	
Capacity	255 L	229L
Weight	96.4 kg	96.8 kg
Materials	Artificial marble made of GFRP sandwich structure.	
Drainage method	Normal drainage + Overflow drainage	
Drain plug	Push-operated drain plug	
Drainage rate	55 L/min	
Overflow rate	36 L/min	

Dimension drawings

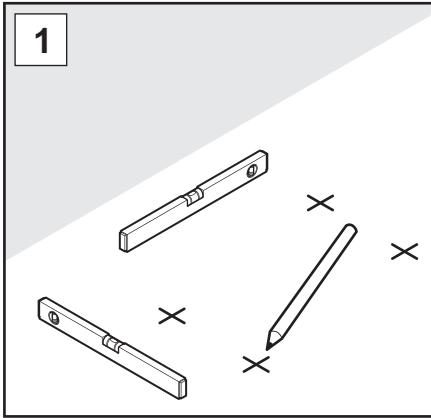
PJY1724HPW



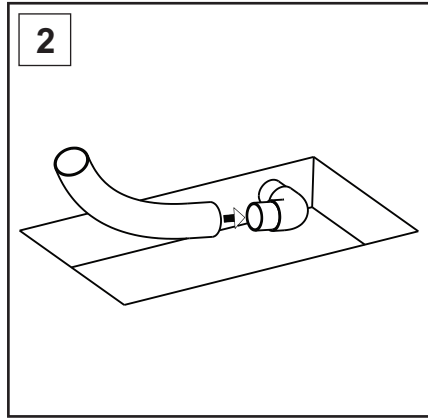
PJY1744HPW



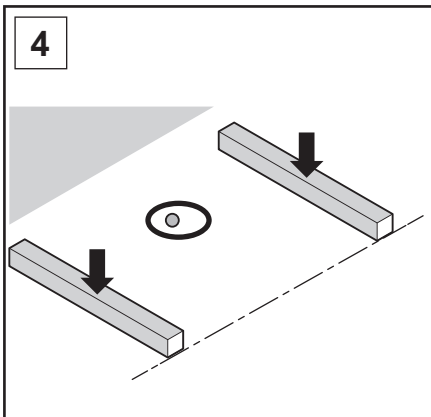
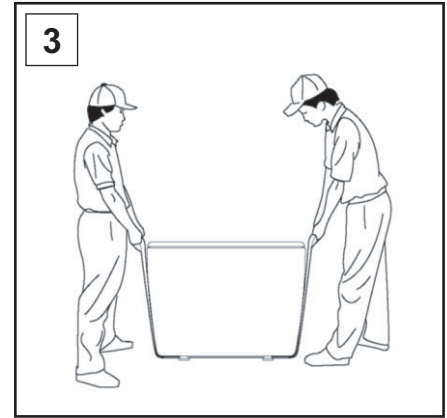
Installation procedures for GALALINE



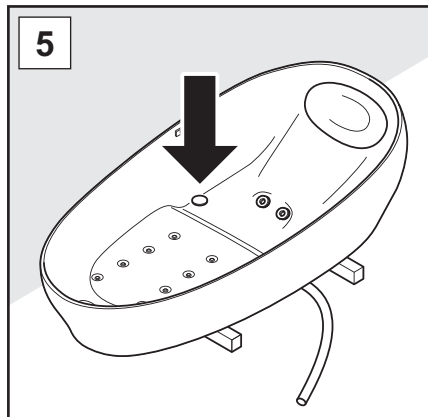
>>P.7



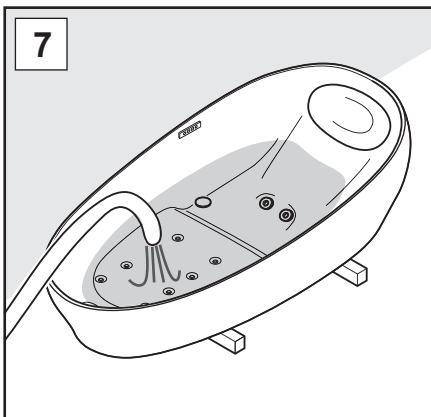
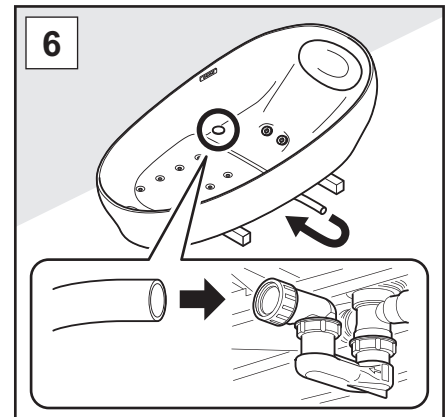
>>P.10



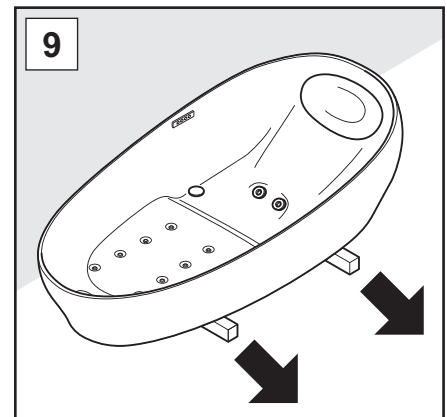
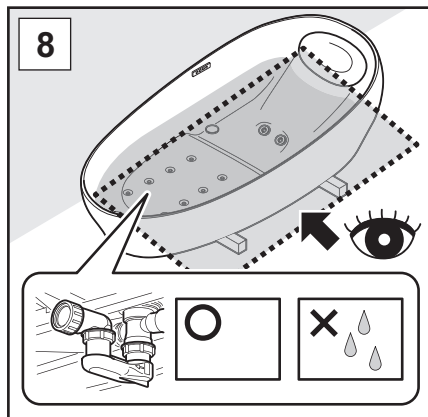
>>P.10



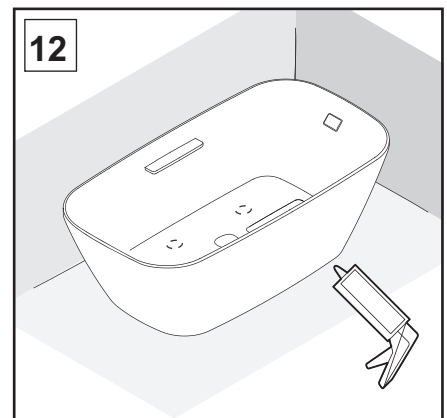
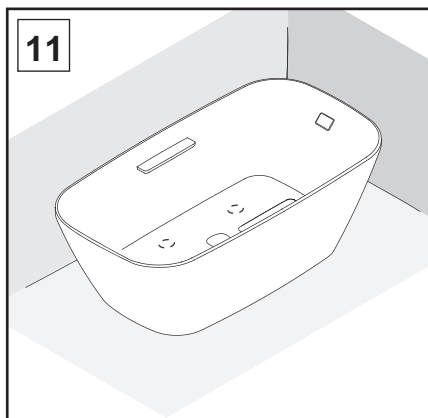
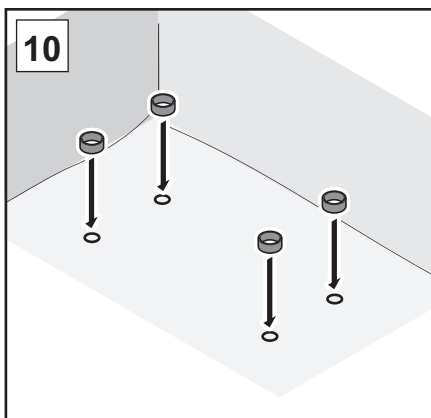
>>P.11



>>P.11



>>P.12

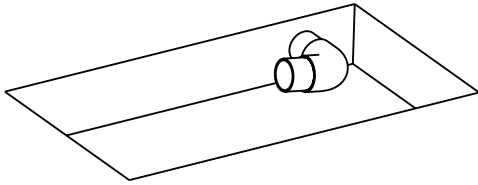


*The design of the figure is different from the actual product.

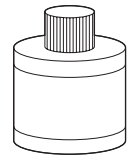
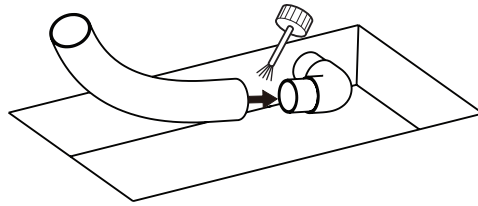
Installing the bathtub for GALALINE

2

①

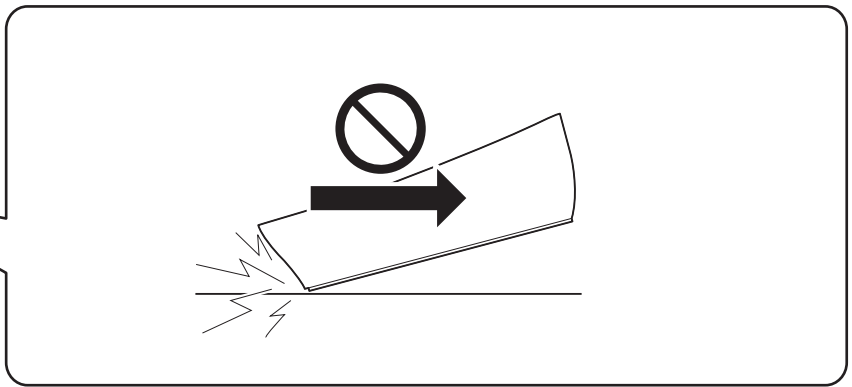
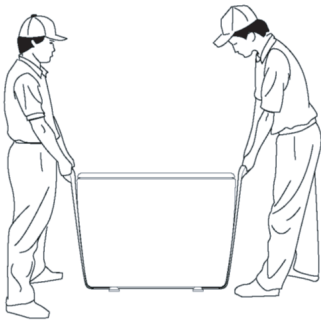


②

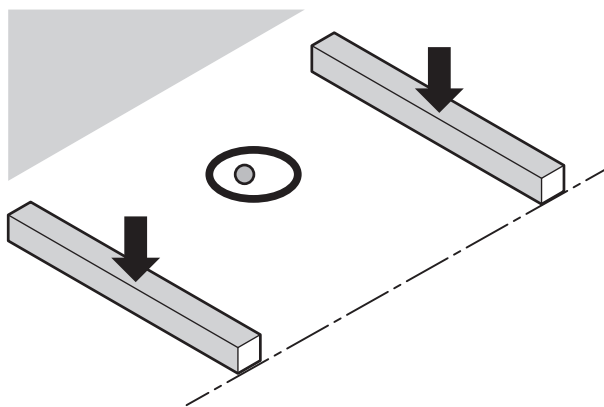


B-6

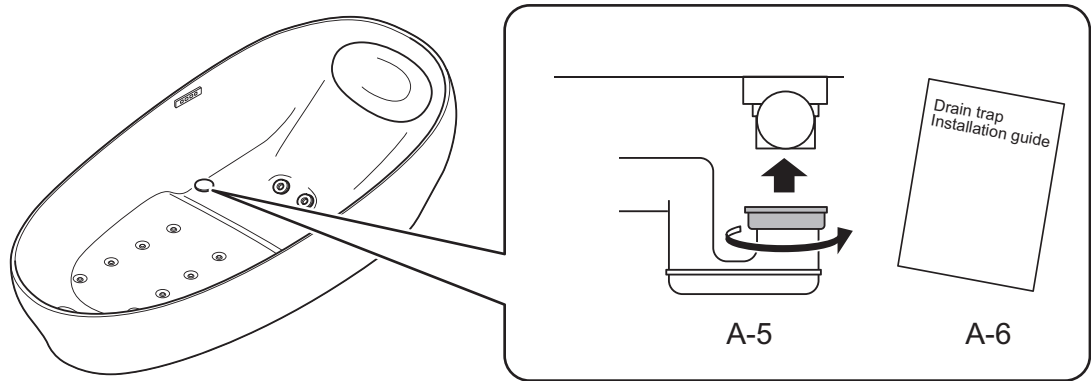
3



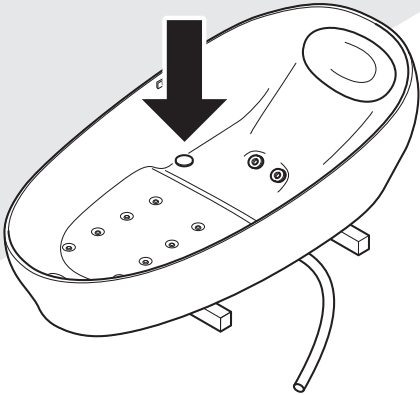
4



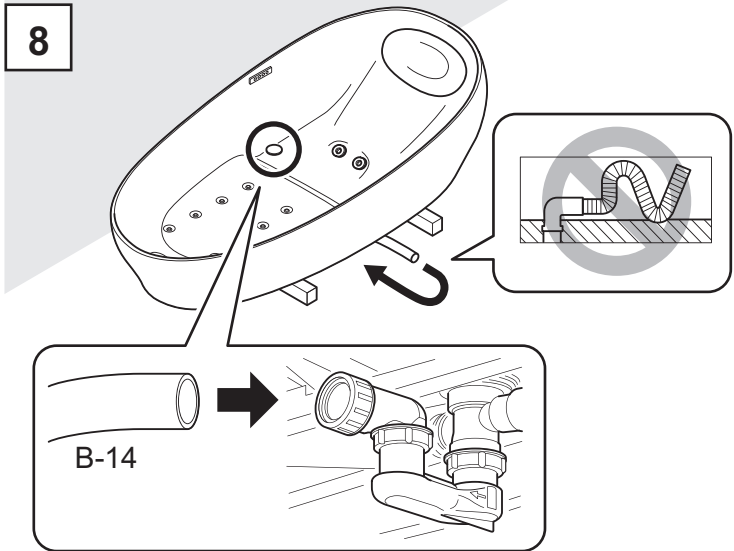
5



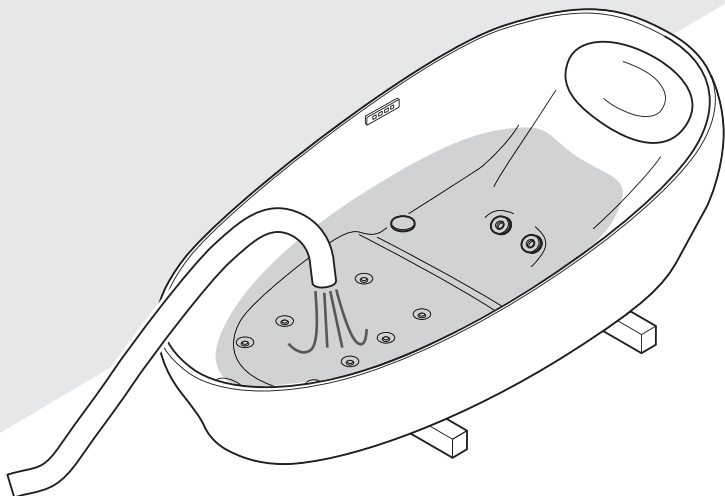
7



8

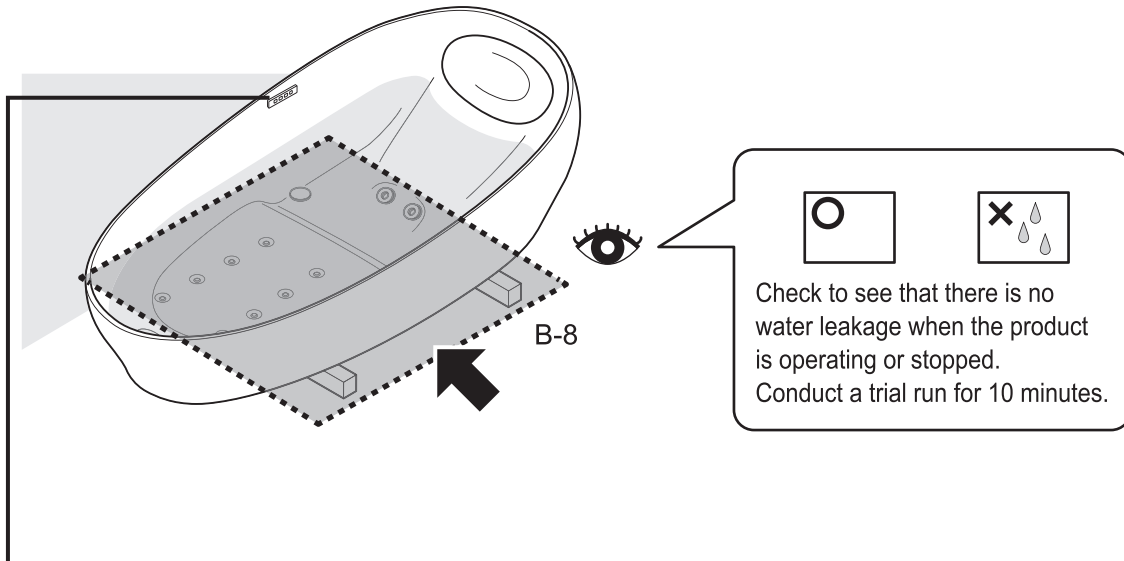


9



Conduct a fill water

10



If trouble occurs during the trial run

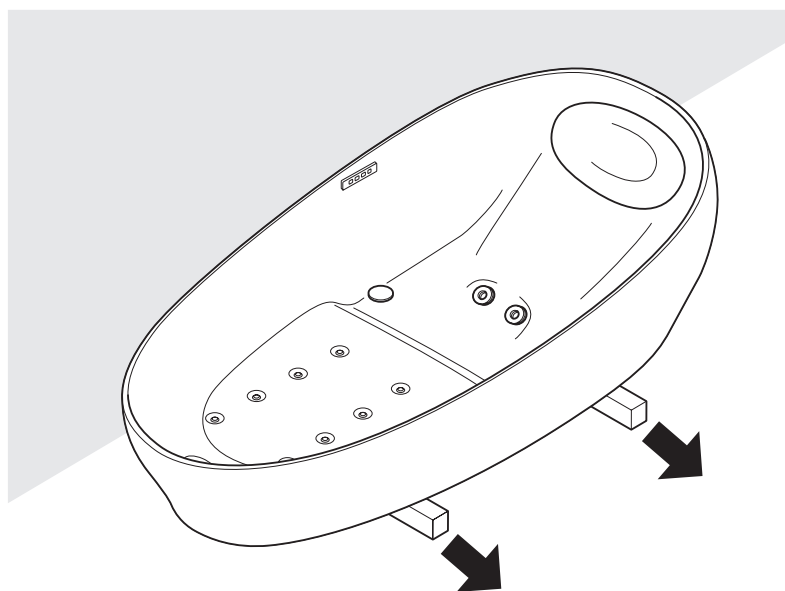
Symptoms	Processing
The drain plug does not open or close.	Please call for a repair.

*Please refer to the instruction manual for other symptoms.

*Please do the work by laying the bathtub sideways when maintenance (checking / repairing).

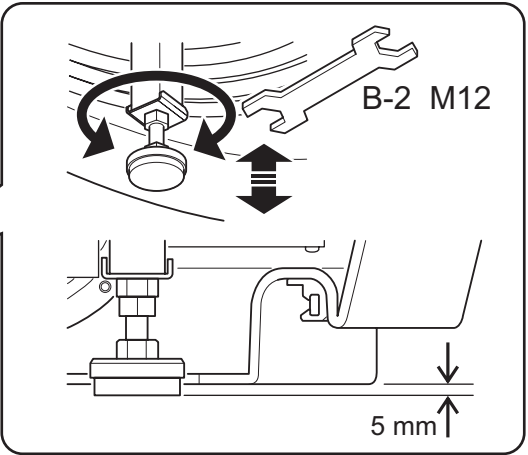
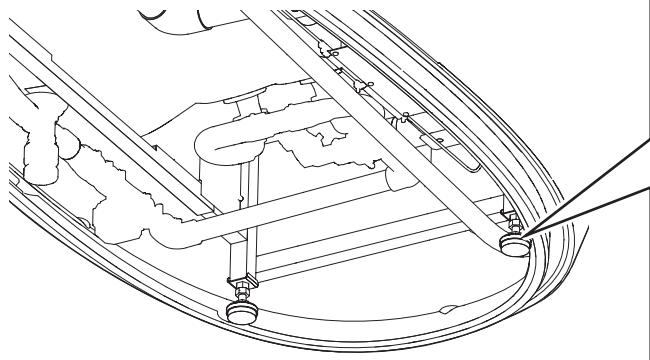
11

①

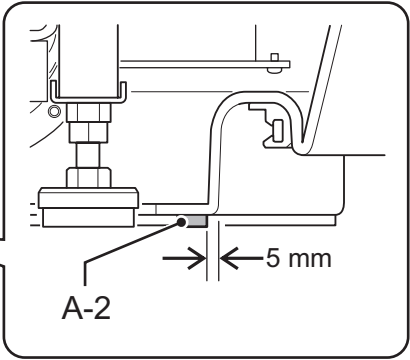
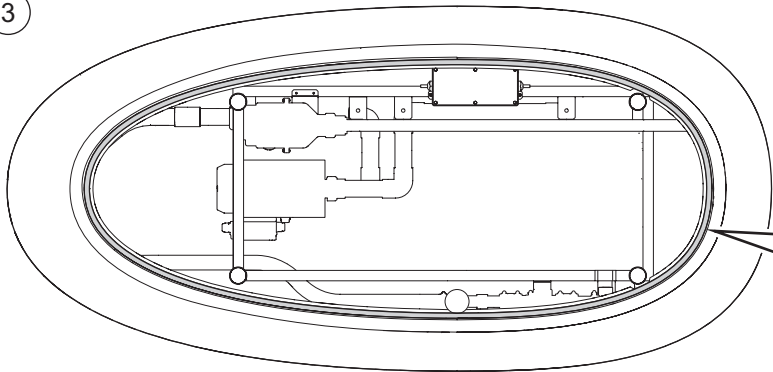


11

2

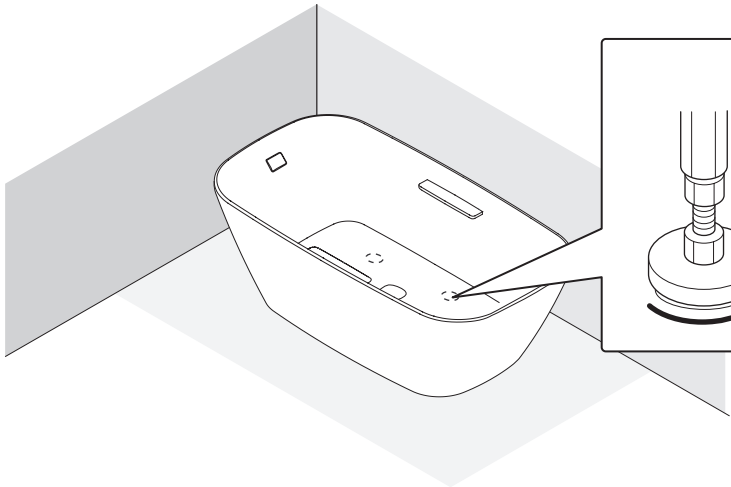


3

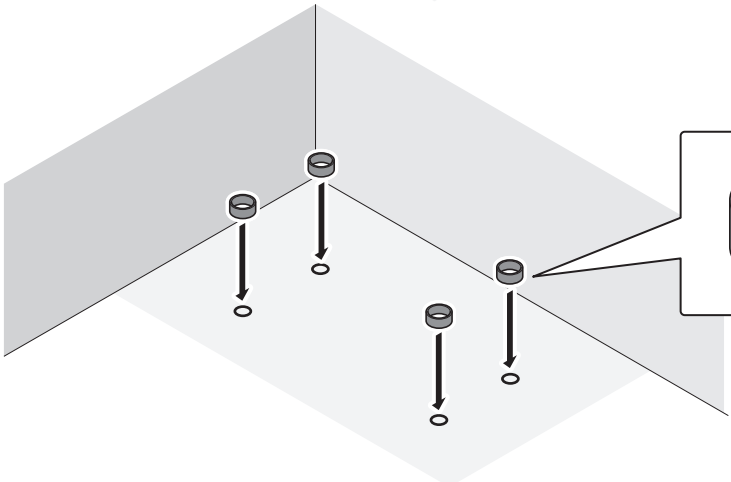


Fix the bathtub

4

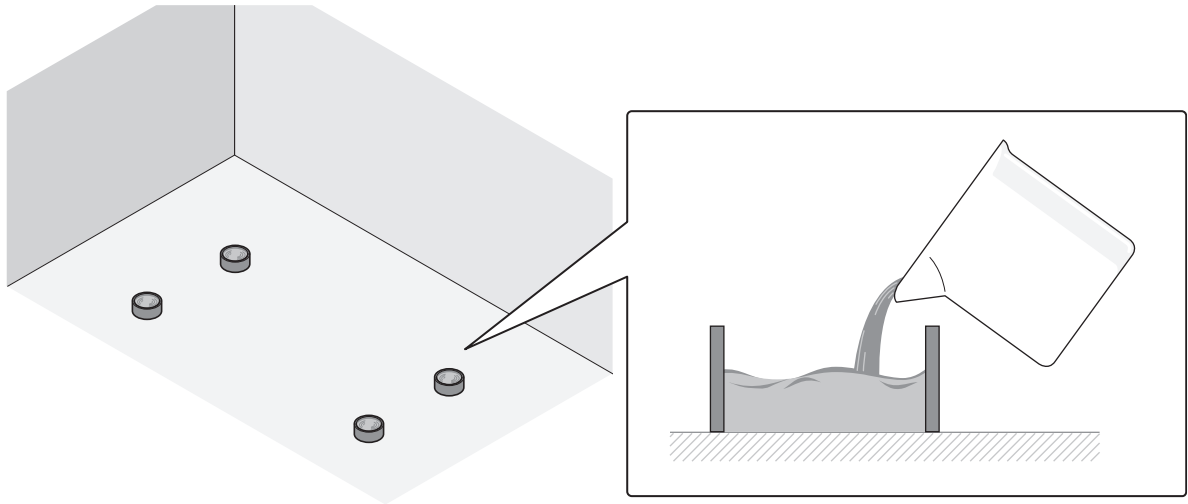


5

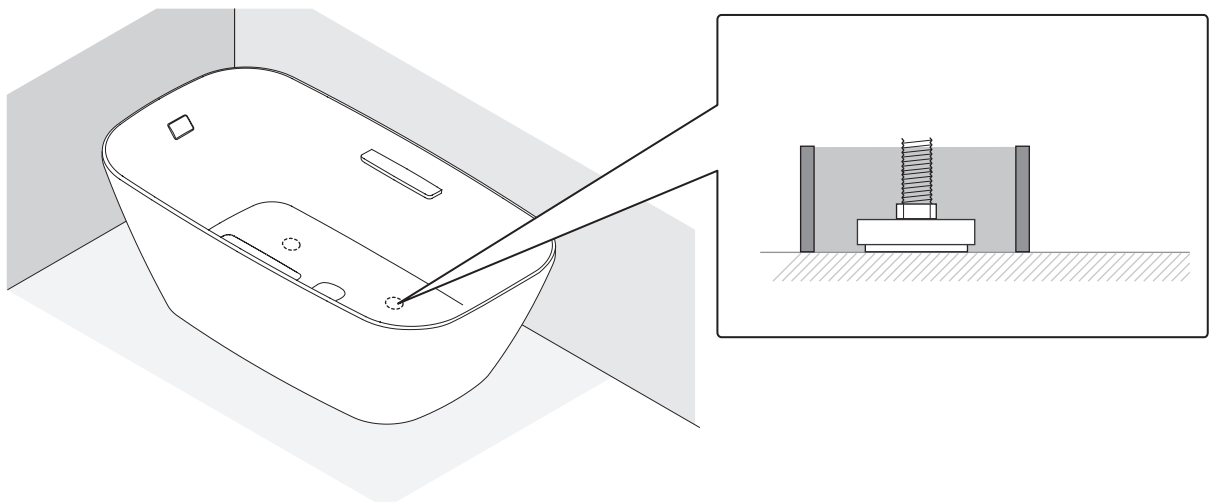


11

6



7



 **CAUTION**

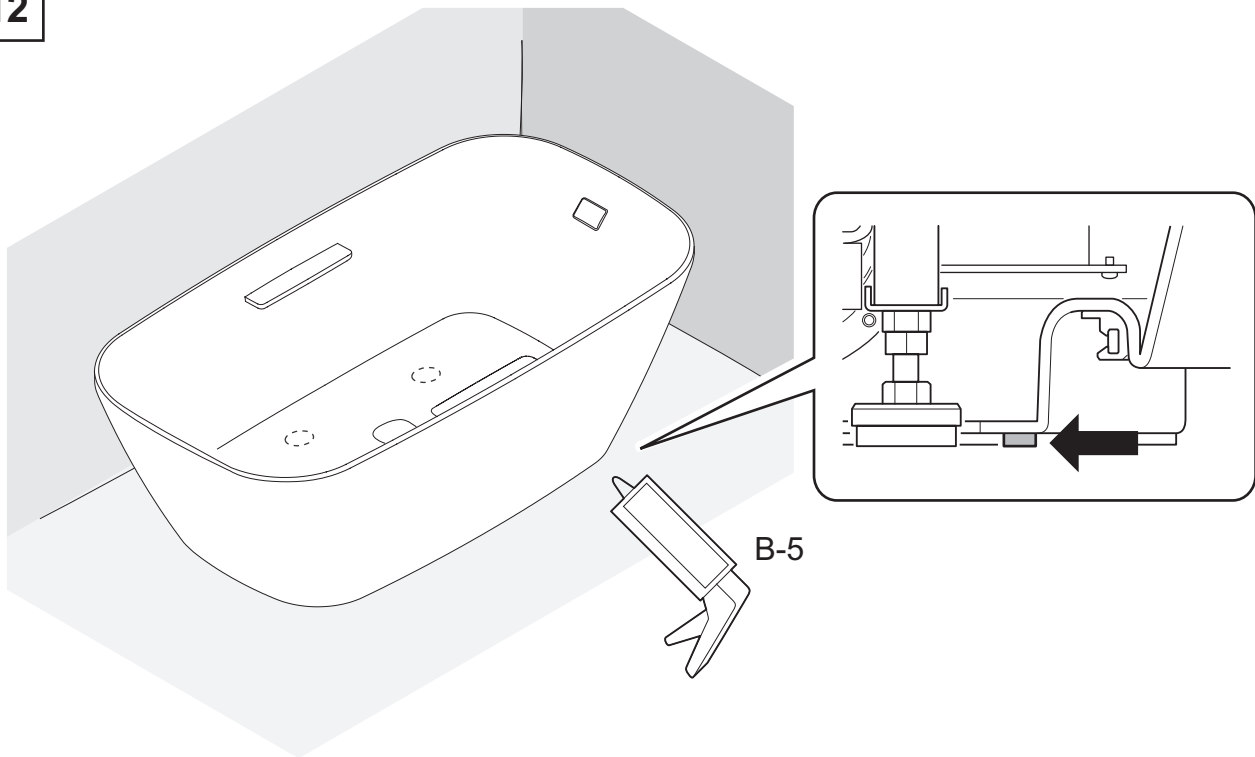


Required

Fix the bathtub in place with mortar using the provided sleeves (A-7).

Finishing

12



WARNING



Secure enough space between the bathtub and tiles, and fill that space with silicone that does not contain alcohol.

